

SALES & ENGINEERING DATA

RATIO SERIES: **1:1**

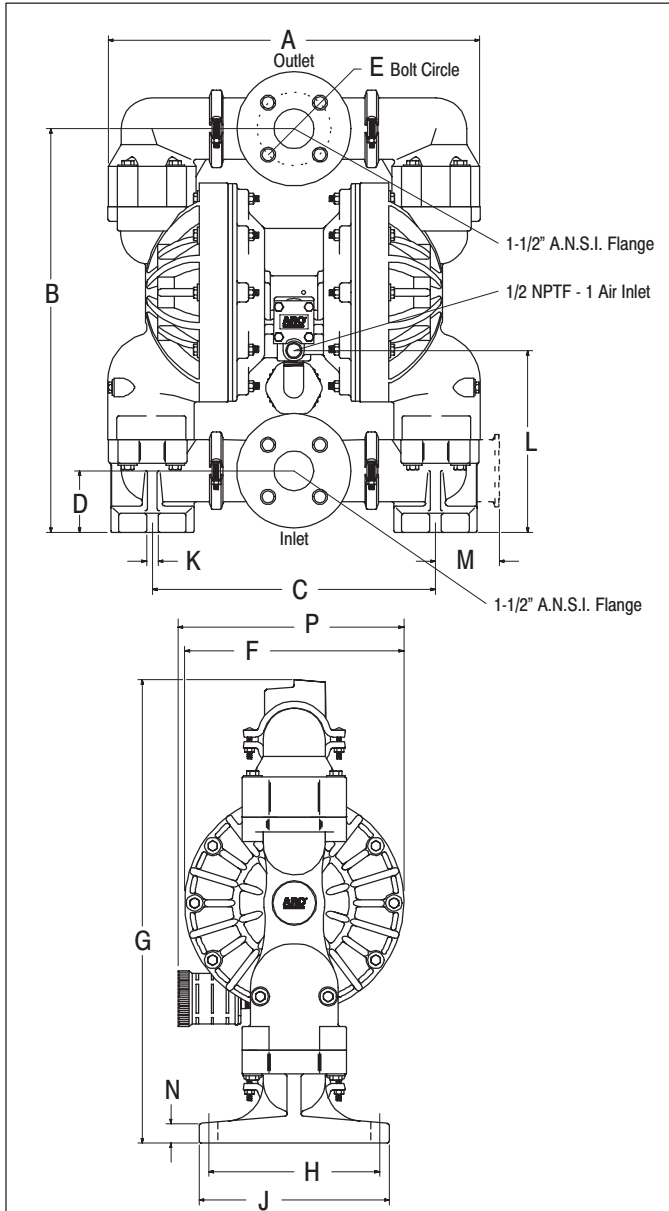
FLUID PSI RANGE: **20 – 120**

6661T3-XXX-C THRU 6661U4-XXX-C

1-1/2" NON-METALLIC DIAPHRAGM PUMP

RELEASED: 1-10-97
 REVISED: 10-22-99
 S-876

DIMENSIONAL DATA



DIMENSIONS

A 19-1/2" (495)	F 11-1/2" (292)	L 9-5/8" (244)
B 21-5/16" (541)	G 24-1/2" (622)	M 3-3/8" (86)
C 14-15/16" (379)	H 9" (229)	N 1-1/16" (27)
D 3-1/4" (83)	J 10-1/16" (256)	P 11-15/16" (302)
E 3-7/8" (98)	K 5/8" (16)	

NOTE: Dimensions are shown in inches and (mm), supplied for reference only and are typically rounded up to the nearest 1/16 inch.

SPECIFICATIONS

CONSTRUCTION

Model Series	6661T3-XXX-C thru 6661U4-XXX-C
Pump Type	Non-Metallic, Air Operated, Double Diaphragm
Ratio	1:1
Material Inlet / Outlet	1-1/2" A.N.S.I. Class 150 Flange
Air Inlet	1/2" NPTF-1(f)
Air Exhaust	3/4" NPTF-1(f)
Weight	Polypropylene – 62 lbs (28 kgs) Kynar (PVDF) – 92 lbs (42 kgs) (add 23 lbs (10.4 kgs) for cast iron air motor section)

Air Section Service Kit . . . 637118-C

Fluid Section Service Kit . . . 637165-XX

6661T3 - X X X - C

637165 - X X

Diaphragm Material
 Ball Material

EXAMPLE: Model 6661T3-344-C

Fluid Section Service Kit is 637165-44

PERFORMANCE

Air Inlet Pressure Range	20 - 120 p.s.i. (1 - 8.3 bar)
Fluid Pressure Range	20 - 120 p.s.i. (1 - 8.3 bar)
Max. Flow Rate (Flooded Inlet)	120 g.p.m. (454.2 l.p.m.)
Max. Particle Size	1/4" dia. (6.4 mm)
Max. Temperature Limits	
	Polypropylene 35° to 150° F (2° to 66° C)
	Kynar (PVDF) 10° to 200° F (-12° to 93° C)
Displacement / Cycle @ 100 p.s.i.:	0.67 gal. (2.54 l)
Noise Level @ 70 p.s.i. - 60 Cpm ^①	77.7 db(A) ^②

Notes:

① Tested with 93139 Muffler installed.

② The pump sound pressure level has been updated to an Equivalent Continuous Sound Level (L_{Aeq}) to meet the intent of ANSI S1. 13-1971, CAGI-PNEUROP S5.1 using four microphone locations.

ACCESSORIES:

65010 Neoprene "O" Ring Air Motor Kit

65764 Viton "O" Ring Air Motor Kit

66084-1 Air Line Kit

ARO

INGERSOLL-RAND COMPANY
 ONE ARO CENTER • BRYAN, OHIO 43506-0151

☎ (419) 636-4242 • FAX (419) 633-1674 ©1999 • PRINTED IN U.S.A.

INGERSOLL-RAND
FLUID PRODUCTS

PERFORMANCE CURVES

6661XX-XXX-C 1-1/2" NON-METALLIC DIAPHRAGM PUMP

