

SALES & ENGINEERING DATA

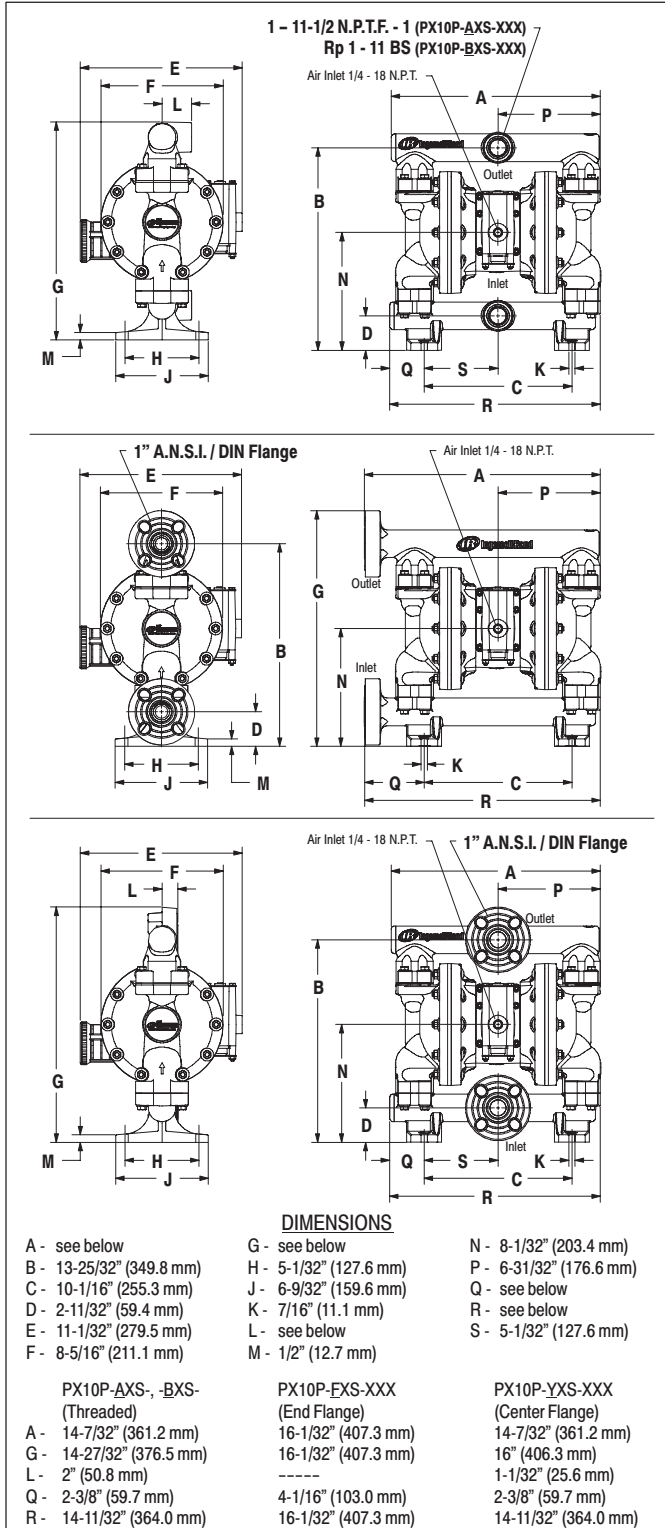
RATIO SERIES: **1:1**

FLUID P.S.I. RANGE: **20 - 120**

PD10P-XXS-XXX and PE10P-XXS-XXX 1" NON-METALLIC DIAPHRAGM PUMP

RELEASED: 1-9-04
REVISED: 9-16-11
(REV. 06) S-1304

DIMENSIONAL DATA



SPECIFICATIONS

CONSTRUCTION

| | |
|--|---|
| Model Series | PD10P-XXS-XXX PE10P-XXS-XXX |
| Pump Type | Non-Metallic, Air Operated, Double Diaphragm |
| Ratio | 1:1 |
| Material Inlet / Outlet | |
| PX10P-AXS-XXX (female) | 1 - 11-1/2 N.P.T.F. - 1 |
| PX10P-BXS-XXX (female) | Rp 1 - 11 BS |
| PX10P-FXS-XXX, -YXS | 1" A.N.S.I. / DIN Flange |
| Air Inlet (female) | 1/4 - 18 N.P.T. |
| Air Exhaust (female) | 3/4 - 14 N.P.T. |
| Weight .. | |
| PX10P-AKS-XXX, -BKS .. | 25.83 lbs (11.72 kgs) |
| PX10P-APS-XXX, -BPS .. | 19.35 lbs (8.78 kgs) |
| PX10P-FKS-XXX | 27.15 lbs (12.32 kgs) |
| PX10P-FPS-XXX | 19.87 lbs (9.01 kgs) |
| PX10P-YKS-XXX | 26.72 lbs (12.12 kgs) |
| PX10P-YPS-XXX | 19.59 lbs (8.89 kgs) |
| Air Section Service Kit | 637397 |
| Major Air Valve Assembly | |
| PD10P-XXS-XXX | 637395-1 |
| PE10P-XXS-XXX | 637395-2 |
| Fluid Section Service Kit | 637396-XX |

PX10P-XXS-X X X
637396 - X X

Diaphragm Material
Ball Material

EXAMPLE: Model # PD10P-FPS-PAA
Fluid Section Service Kit is 637396-AA

PERFORMANCE

| | |
|--|---------------------------------|
| Air Inlet Pressure Range | 20 - 120 p.s.i. (1.4 - 8.3 bar) |
| Maximum Material Inlet Pressure .. | 10 p.s.i. (0.69 bar) |
| Fluid Pressure Range | 20 - 120 p.s.i. (1.4 - 8.3 bar) |
| Maximum Flow Rate (flooded inlet) .. | 53.0 g.p.m. (200.6 l.p.m.) |
| Displacement / Cycle @ 100 p.s.i. .. | 0.226 gal. (0.86 lit.) |
| Maximum Particle Size | 1/8" dia. (3.2 mm) |
| Maximum Temperature Limits (diaphragm / ball / seal material) | |
| E.P.R. / EPDM | -60° to 280° F (-51° to 138° C) |
| Hytrek | -20° to 150° F (-29° to 66° C) |
| Nitrile | 10° to 180° F (-12° to 82° C) |
| Polypropylene | 35° to 175° F (2° to 79° C) |
| P.V.D.F. (Kynar) | 10° to 200° F (-12° to 93° C) |
| Santoprene | -40° to 225° F (-40° to 107° C) |
| PTFE | 40° to 225° F (4° to 107° C) |
| Viton | -40° to 350° F (-40° to 177° C) |
| Noise Level @ 70 p.s.i. - 60 c.p.m. .. | 79.7 db(A)① |

① The pump sound pressure level has been updated to an Equivalent Continuous Sound Level (L_{Aeq}) to meet the intent of ANSI S1. 13-1971, CAGI-PNEUROPS S5.1 using four microphone locations.

PERFORMANCE CURVES

PX10P-XXS-XXX 1" NON-METALLIC DIAPHRAGM PUMP

